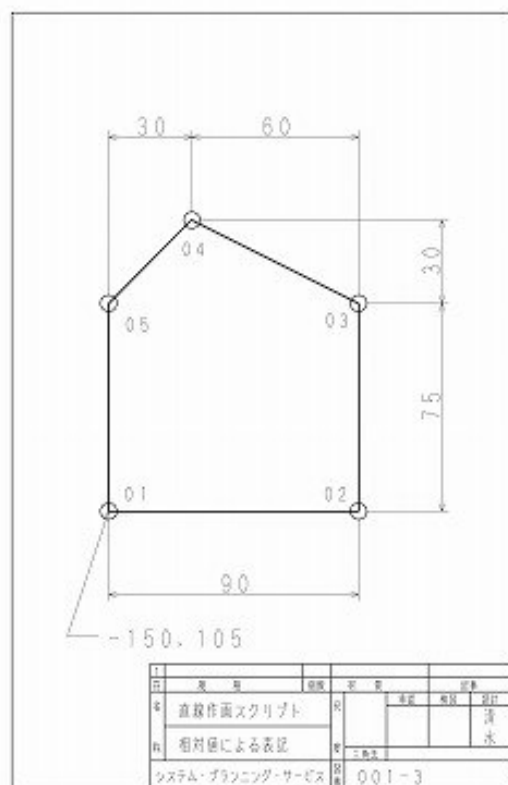
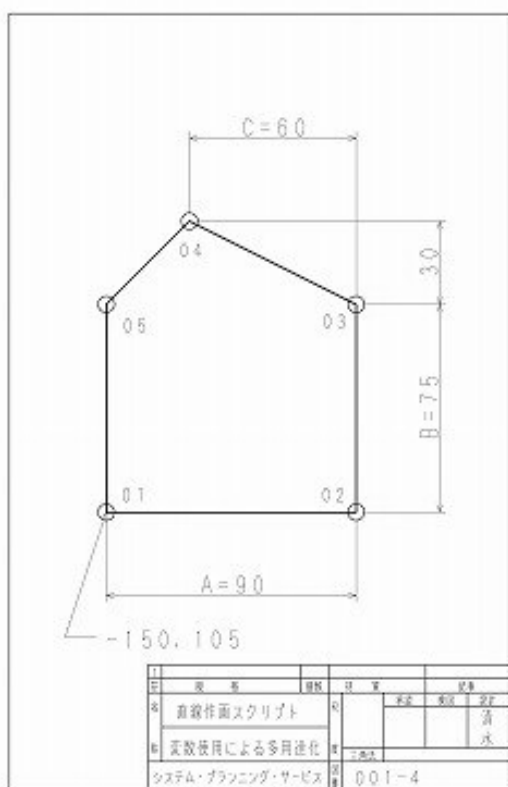


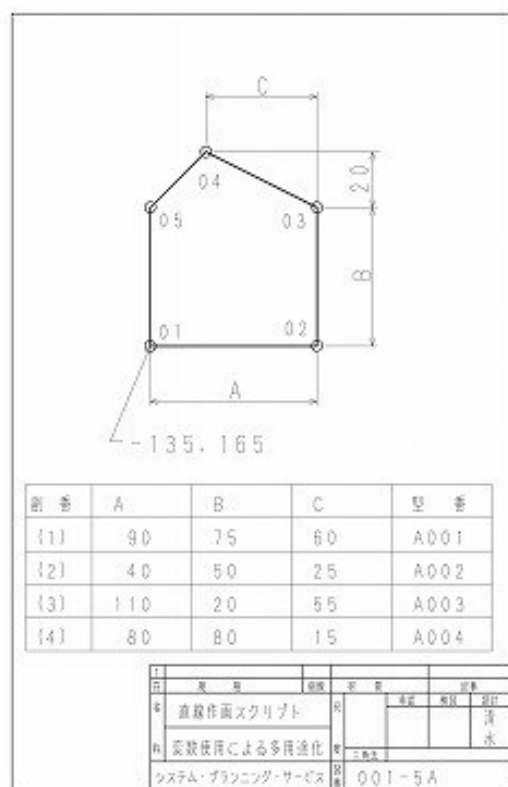
00



00



00



00

```

[TEST002]
X00=0
Y00=0
X01=150
Y01=105
X02=60
Y02=105
X03=60
Y03=180
X04=120
Y04=210
X05=150
Y05=180
X06=60
Y06=105
insert
0:MMATHSYMBOL$psps_a4.dwg
POINT00
1
1
0
color 1
_text
POINT06
3.5 0
KATAMAI
color 7
_text
POINT01
3.5 0 [test001-2/絶対値]
circle
POINT01
2.0
circle
POINT01
1.0
circle
POINT02
1.0
circle
POINT03
1.0
circle
POINT04
1.0
circle
POINT05
1.0
line
POINT01
POINT02
POINT03
POINT04
POINT05
POINT06

```

```

[TEST003]
X00=220
Y00=0
X01=150
Y01=105
X02=X01+90
Y02=Y01
X03=X02
Y03=Y02+90
X04=X03+90
Y04=Y03+90
X05=X04+90
Y05=Y04
X06=X01
Y06=Y01+90
insert
0:MMATHSYMBOL$psps_a4.dwg
POINT00
1
1
0
color 1
_text
POINT06
3.5 0
KATAMAI
color 7
_text
POINT01
3.5 0 [test001-3/絶対値]
circle
POINT01
2.0
circle
POINT01
1.0
circle
POINT02
1.0
circle
POINT03
1.0
circle
POINT04
1.0
circle
POINT05
1.0
line
POINT01
POINT02
POINT03
POINT04
POINT05
POINT06

```

```

[TEST004]
#90
#135
#45
#0
#0=440
#00=0
#01=150
#01=105
#02=X01+A
#02=90
#03=X01
#03=105
#04=X01-C
#04=90
#04=Y01+90
#05=X04-90
#05=Y05
#06=X01
#06=Y01+90
insert
0:MMATHSYMBOL$psps_a4.dwg
POINT00
1
1
0
color 1
_text
POINT01
3.5 0 [test001-4/度数利用]
color
_text
POINT06
3.5 0
KATAMAI
color 7
circle
POINT01
2.0
circle
POINT01
1.0
circle
POINT01
1.0
circle
POINT02
1.0
circle
POINT03
1.0
circle
POINT04
1.0
circle
POINT05
1.0
line
POINT01
POINT02
POINT03
POINT04
POINT05
POINT06

```

```

[TEST005]
X00=150
Y00=105
X01=X00+A
Y01=X00
X02=X01
Y02=X00+C
X03=X02+90
Y03=X01
X04=X01
Y04=X01+90
X05=X01+90
Y05=X01+90
X06=X01
Y06=X01+90
insert
0:MMATHSYMBOL$psps_a4.dwg
POINT00
1
1
0
color 1
_text
POINT01
3.5 0 [test001-5/複数値に一括作]
color 1
_text
POINT06
3.5 0
KATAMAI
color 7
circle
POINT01
2.0
circle
POINT01
1.0
circle
POINT01
1.0
circle
POINT02
1.0
circle
POINT03
1.0
circle
POINT04
1.0
circle
POINT05
1.0
line
POINT01
POINT02
POINT03
POINT04
POINT05
POINT06

```

Acad LTによるスクリプト

```

[TEST002]
layer
m
001001
insert
0:MMATHSYMBOL$psps_a4.dwg
0.0
1
1
0
color 1
_text
-150,100
3.5 0
16008
color 7
_text
-150,105
3.5 0 [test001-2/絶対値]
circle
-150,105
2
circle
-150,105
1
circle
-60,105
1
circle
-60,180
1
circle
-120,210
1
circle
-150,180
1
_line
-150,105
-60,105
-60,180
-120,210
-150,180
-150,105
layer
lo
001001

```

```

z000 e
[TEST003]
layer
m
001002
insert
0:MMATHSYMBOL$psps_a4.dwg
-220,0
1
1
0
color 1
_text
-370,100
3.5 0
16008
color 7
_text
-370,105
3.5 0 [test001-3/絶対値]
circle
-370,105
2
circle
-370,105
1
circle
-280,105
1
circle
-280,180
1
circle
-340,210
1
circle
-370,180
1
_line
-370,105
-280,105
-280,180
-340,210
-370,180
-370,105
layer
lo
001002

```

```

z000 e
[TEST004]
layer
m
001003
insert
0:MMATHSYMBOL$psps_a4.dwg
-440,0
1
1
0
color 1
_text
-590,105
3.5 0 [test001-4/度数利用]
color 1
_text
-590,100
3.5 0
16008
color 7
circle
-590,105
2
circle
-590,105
1
circle
-500,105
1
circle
-500,180
1
circle
-560,210
1
circle
-590,180
1
_line
-590,105
-500,105
-500,180
-560,210
-590,180
-590,105
layer
lo
001003

```

```

_z000_e
[TEST005]
layer
m
001002
insert
0:MMATHSYMBOL$psps_a4.dwg
0.0
1
1
0
color 1
_text
-150,105
3.5 0 [test001-5/複数値に一括作]
]
color 1
_text
-150,100
3.5 0
A001
color 7
circle
-150,105
2
circle
-150,105
1
circle
-60,105
1
circle
-60,180
1
circle
-120,210
1
circle
-150,180
1
_line
-150,105
-60,105
-60,180
-120,210
-150,180
-150,105
layer

```